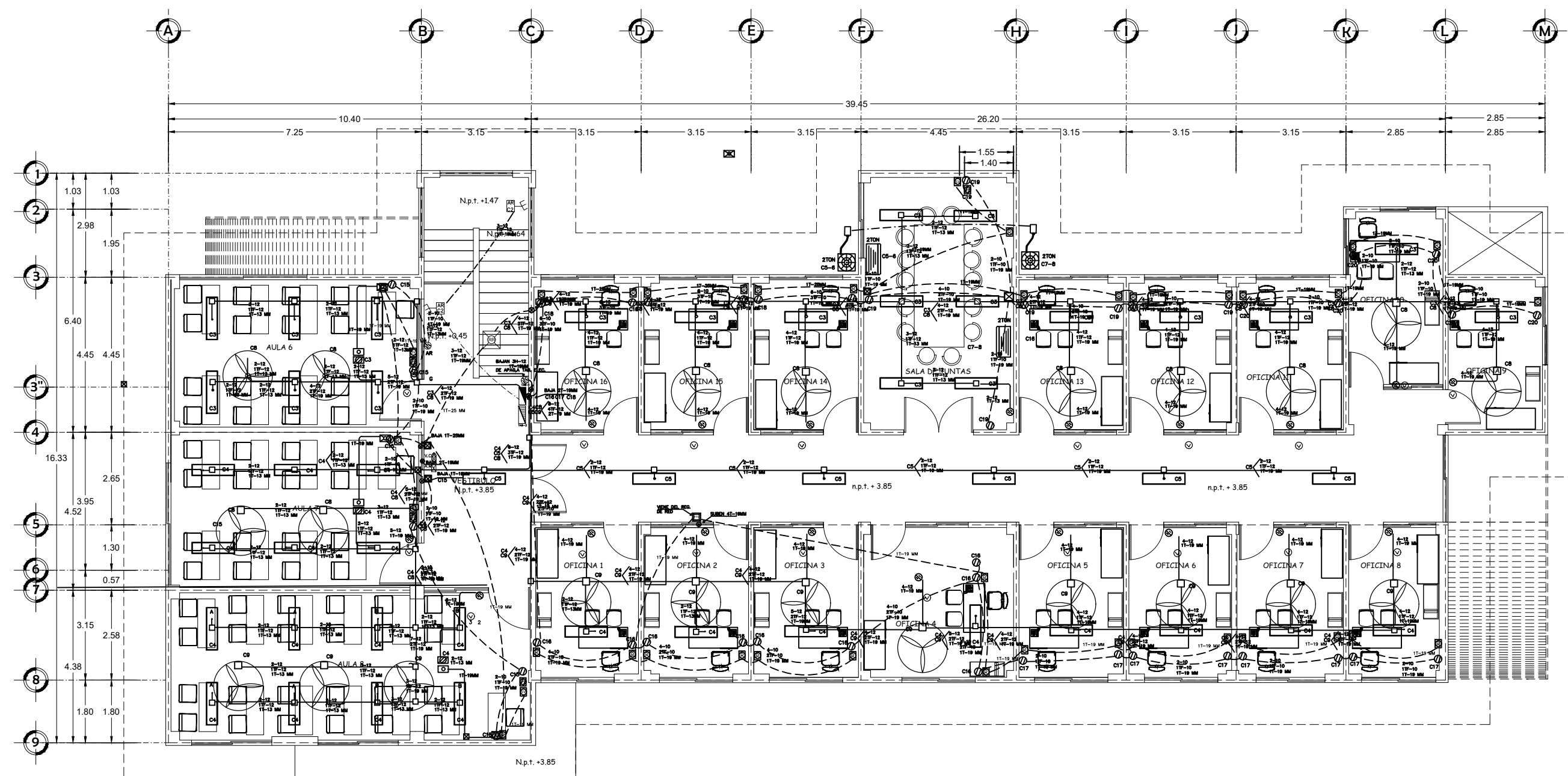


PLANTA BAJA



PLANTA ALTA

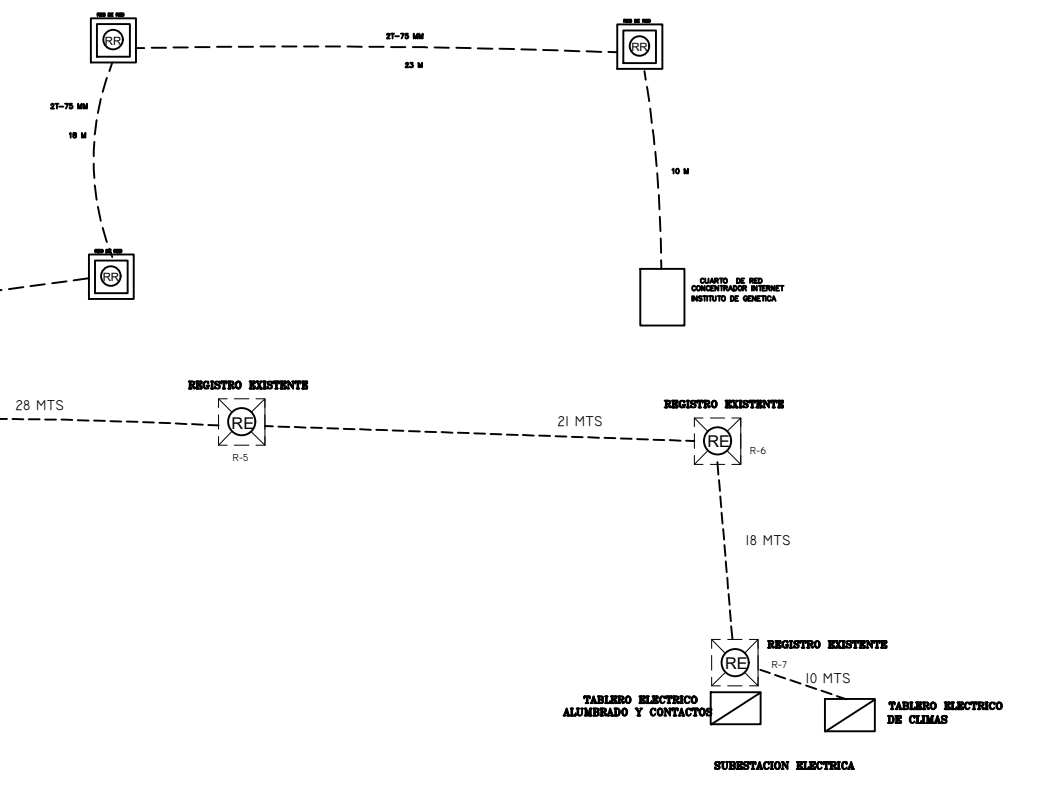
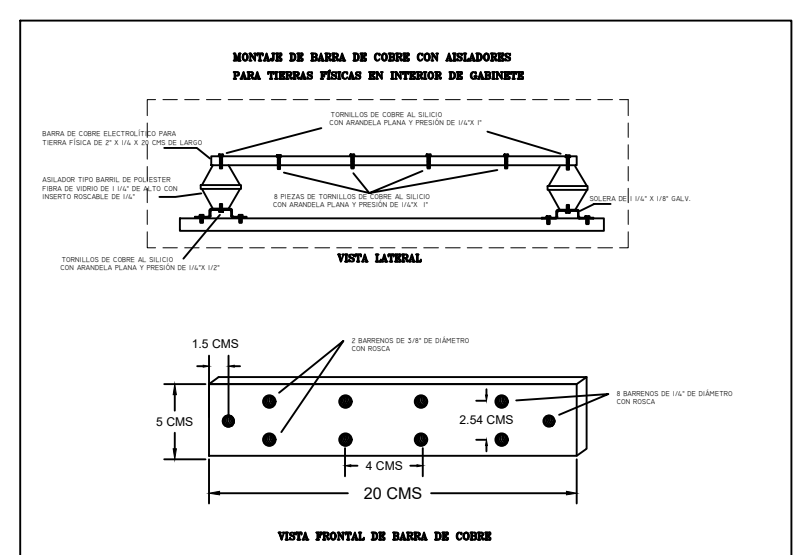


DIAGRAMA UNIFILAR-TABLERO DE ALUMBRADO

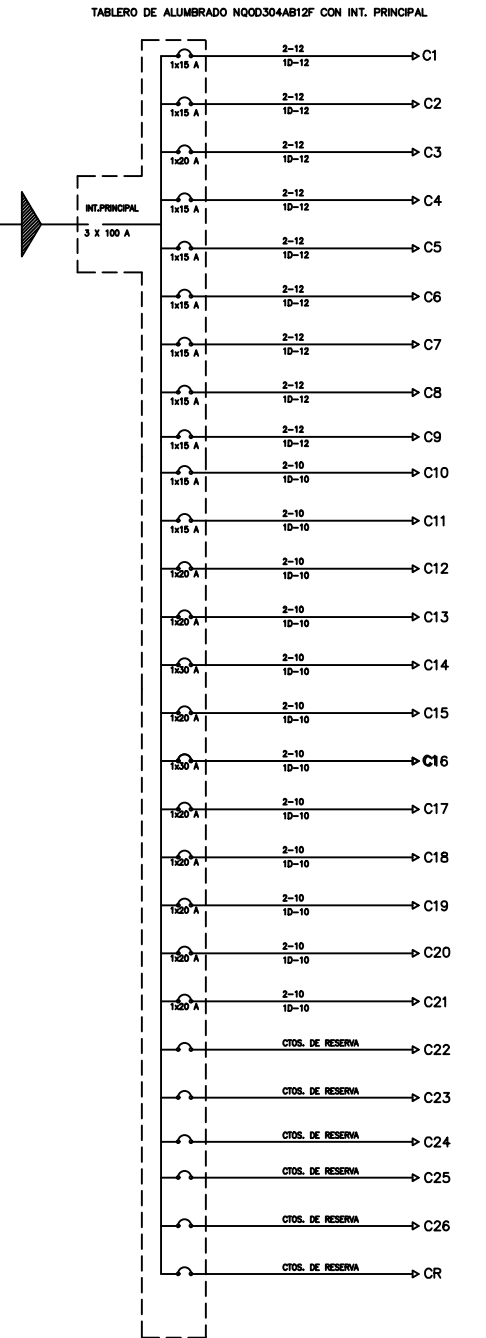
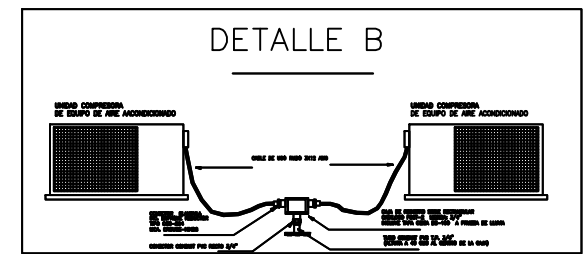
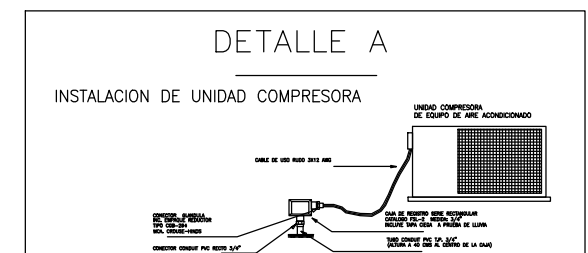
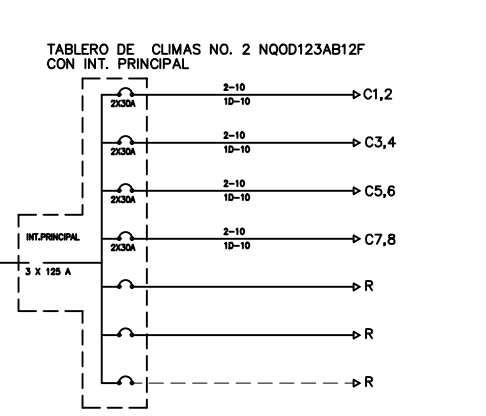


DIAGRAMA UNIFILAR-TABLERO PARA EQUIPOS DE AIRE ACONDICIONADO



SIMBOLOGIA

Table of electrical symbols and their corresponding components, including switches, outlets, and lighting fixtures.

ESPECIFICACIONES

Technical specifications for the electrical system, detailing requirements for materials, installation, and testing.

CUADRO DE CARGAS ALUMBRADO Y CONTACTOS: Table listing lighting and contact loads with columns for circuit number, voltage, wattage, phase, amperage, and breaker type.

TABLERO 2 CUADRO DE CARGAS AIRES ACONDICIONADOS

Table listing air conditioning unit loads with columns for circuit number, voltage, wattage, phase, amperage, and breaker type.

UNIVERSIDAD DEL ISTMO DEPARTMENTO DE PROYECTOS, CONSTRUCCION Y MANTENIMIENTO

Project information including the university logo, project title 'CONSTRUCCION DE UN EDIFICIO PARA POSGRADO...', client 'UNISTMO', architect 'ARD. SERGIO LEONARDO PERALTA SORIANO', and date 'MAYO 2023'.